

CWDM-8M[E]-1xxx-1xxx

8 and 16 Channel Multi Mode CWDM Filter/Mux for Video and Data applications

Data Sheet



Description

The CWDM-8M[E]-1xxx-1xxx and are Multi Mode passive CWDM MUX/DMUX filters that fit with the miniHUB frame.

Each CWDM filter has 8 ports for accepting the CWDM wavelengths and a common port that combines the 8 channels for feeding to and from your fiber network. The CWDM-8ME-1270-1410 filter also have and EXPRESS port which allows these units to be cascaded into a larger 16 channel CWDM system.

These filters use the LC/PC fiber connectors that are preferred by SMPTE

With two of these filters you can obtain a 16 channel CWDM system in a 1 rack unit miniHUB frame, that's compact.

These filters are shipped in pairs of one MUX and one DMUX.

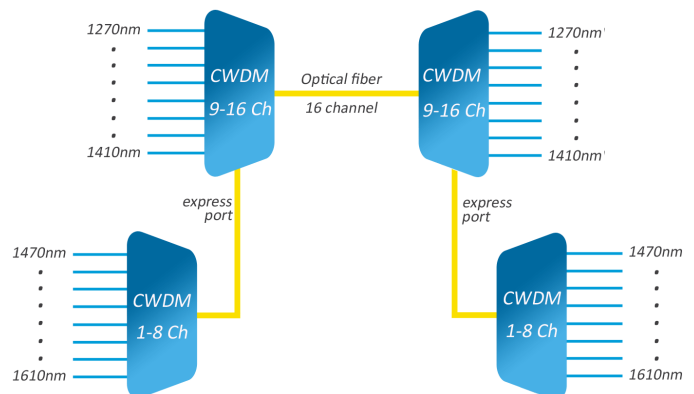
Part Number Options

Part Number	Channel wavelengths (nm)	Temperature *)
CWDM-8ME-1270-1410	1270 ~ 1410	0°C to +40°C
CWDM-8M-1470-1610	1470 ~ 1610	0°C to +40°C

*) Rated temperature for the complete miniHUB.

Features

- Accepts Multi Mode fiber
- Up to 16 channels per fiber
- Easy upgrade from 8 to 16 channels
- Compliant to SMPTE 297-2006
- Compliant to ITU-T G.694.2
- High isolation allowing bi-directional traffic
- LC/PC Multi Mode connector



Absolute Maximum Ratings

Absolute maximum ratings are those values beyond which functional performance is not intended, device reliability is not implied, and damage to the device may occur.

Parameter	Minimum	Maximum	Unit
Storage temperature (non-operating)	-40	+85	°C
Relative Humidity (non-condensing)	5	95	%

Recommended Operating Conditions

Parameter	Minimum	Typical	Maximum	Unit
Case operating temperature:	0		+70	°C
Relative Humidity (non-condensing)	5		90	%

Optical Characteristics

Parameter	Minimum	Typical	Maximum	Unit
Number of Channels	8 (16 when using 2 filters with express connection)			
Operating Center Wavelength				
CWDM-8ME-1270-1410:	1270, 1290, 1310, 1330, 1350, 1370, 1390, 1410, EXP			nm
CWDM-8M-1470-1610:	1470, 1490, 1510, 1530, 1550, 1570, 1590, 1610			nm
Channel Spacing	20			nm
Insertion Loss			3.2	dB
Express Port Insertion Loss				dB
Isolation, Adjacent Channel	30			dB
Isolation, Non-Adjacent Channel	40			dB
Connector	LC/PC Multi Mode			
Transmitting circuit fiber	Multi Mode (50/125µm)			

Norwia AS
P.O.Box 14
3201 Sandefjord
Norway

Norwia AS
Kilgata 12
3217 Sandefjord
Norway

Contact:
phone: +47 33 45 20 90
e-mail: info@norwia.no
web: norwia.com

